

Part no.	315-3140200-007
Product name	簡易使用指南/GRx Diagnostics/英文
Spec	L148*W420mm/銅版紙/100P/雙面/4C/2折
Designer	Tsaiyi
Color	■ K90

BLOOD PRESSURE MONITOR (TD-3140) Quick Start Guide

1 For Bluetooth Pairing

App Store

Search and download the GRx BP APP on your mobile device.

GRx BP

Download on the App Store

GET IT ON Google Play

2 Turn on Bluetooth.

Bluetooth

TAIDOC TD3140 Not Connected

3 Press the Bluetooth button on the meter.

Bluetooth

PCL

4 Open the APP.

GRx Diagnostics

Select "⚙️" and tap the Pair button.

Setting

Pair

KPa mmHg

Year of Birth: 1970

5 Tap the Search button to search for available current meters.

Search

Bluetooth Smart Meter

Current Meters

TAIDOC TD3140 Add

Tap "🔄" to pop up the message window.

Bluetooth Smart Meter

Current Meters

TAIDOC TD3140 Select

Select "Yes" to save the setting and complete the pairing procedure.

Bluetooth Smart Meter

Current Meters

TAIDOC TD3140

Bluetooth Smart Meter

Yes No Cancel

6 Select "🏠" to return to the Home page; the Bluetooth function of the meter will be activated before transmitting the data to your APP.

Home

7 Apply the cuff properly; leave a little free space between your arm and the cuff - you should be able to fit two fingers between them.

0.8" ~ 1.2" (2 ~ 3cm)

Wrap and tighten the cuff above your elbow. The red line on the edge of the cuff should be approximately 0.8" to 1.2" (2 cm to 3 cm) above your elbow.

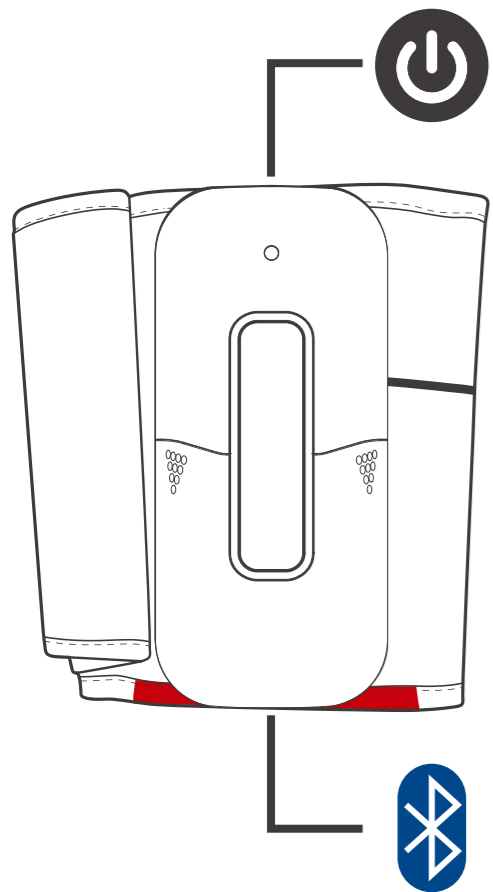
8 Tap "✅" (in green) on the screen to start blood pressure measurement.

Please fit the cuff correctly. Do not move your phone.

Average Mode: on off

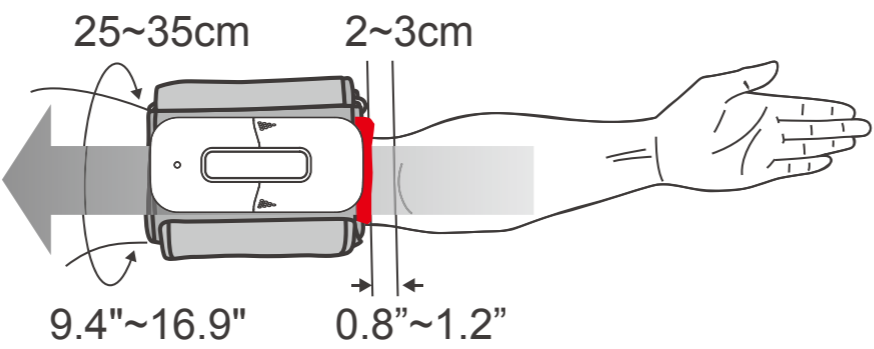
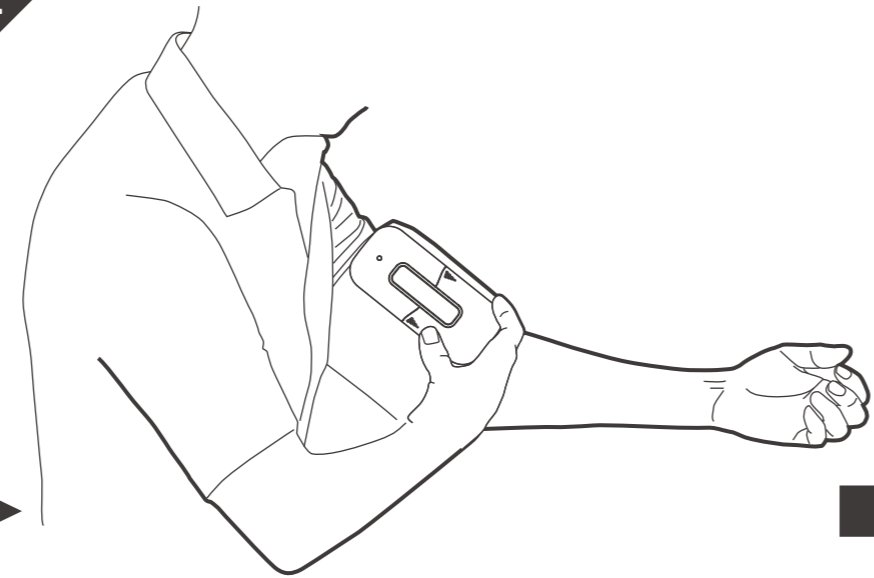
1

Meter use only



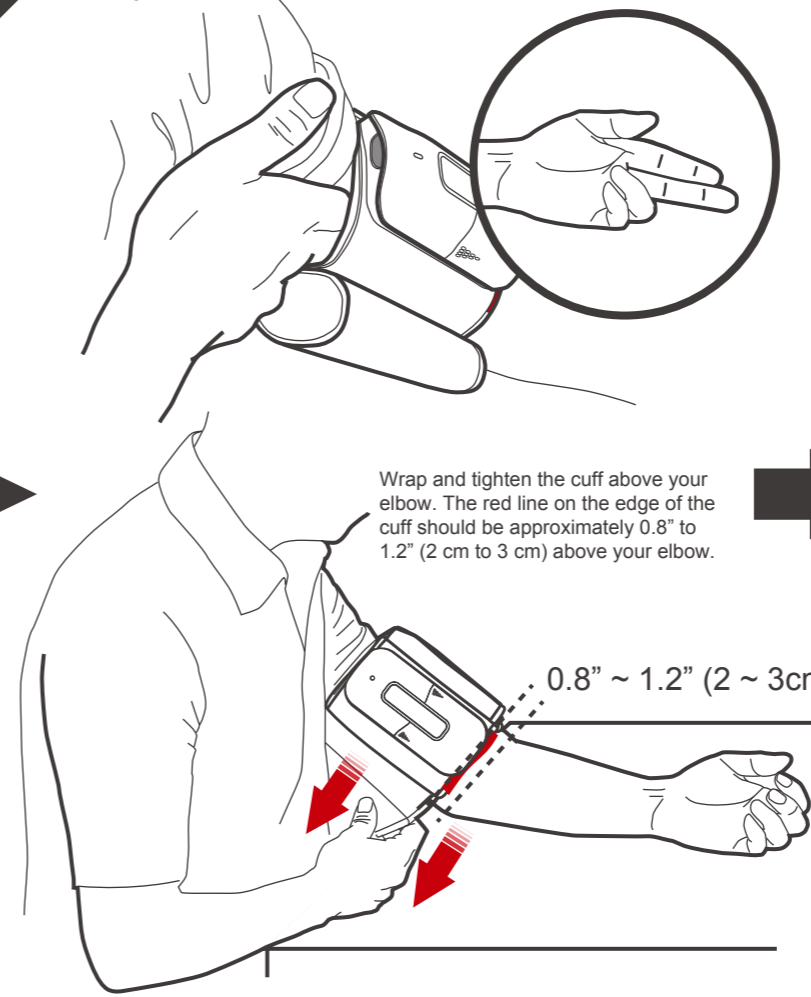
2

Stretch your arm in front of you with your palm facing up.



3

Leave a little free space between your arm and the cuff - you should be able to fit two fingers between them.

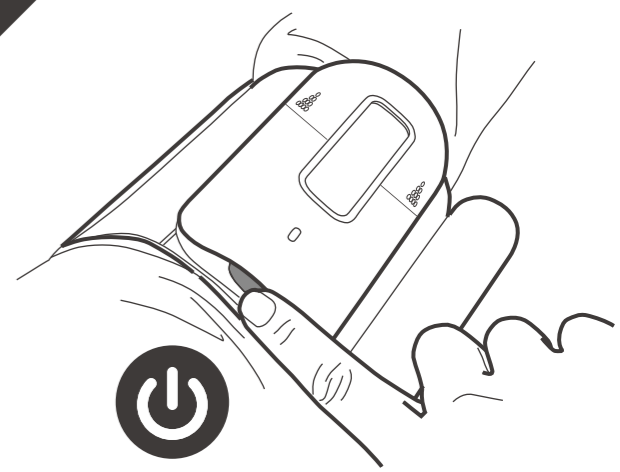


Wrap and tighten the cuff above your elbow. The red line on the edge of the cuff should be approximately 0.8" to 1.2" (2 cm to 3 cm) above your elbow.

0.8" ~ 1.2" (2 ~ 3cm)

4

Tap ON/OFF Button to start blood pressure measurement.



Distributed by GRx Diagnostics
 4 Wintonlea, Monument Way West,
 Woking, Surrey, GU21 5EN, UK
 Website: www.grxdiagnostics.co.uk
 Customer careline: 01483 755133

TaiDoc Technology Corporation
 B1-7F, No. 127, Wugong 2nd Rd.,
 Wugu Dist., 24888 New Taipei City, Taiwan

MedNet GmbH
 Borkstraße 10, 48163 Münster, Germany

